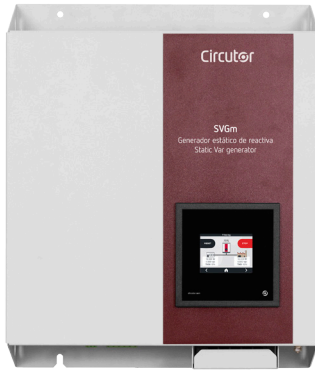


SVGm-M

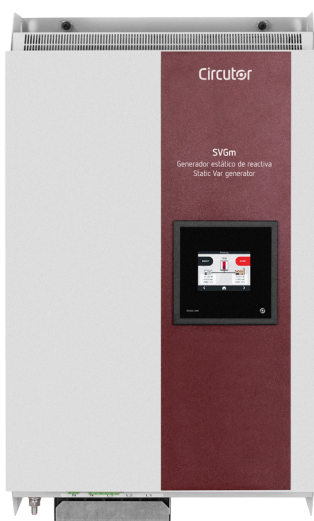
Static Var Generator with multilevel technology wall mount



20/30 kvar



40/60 kvar



69/100 kvar

Description

SVGm wall mount type static var generators with multilevel technology are the most accurate power factor correction solution in both unbalanced three-phase systems and installations with inductive and capacitive reactive power. They can be used in three-phase industrial, commercial or service installations, and they are not affected by the installation's harmonics. Much safer device with minimal maintenance.

The implemented characteristics and functions are as follows:

- 30, 60 and 100 kvar (3W) and 20, 40 and 69 kvar (4W) single power factor correction capacity (inductive/capacitive).
- Small wall mounted type cabinet.
- Easy to install due to its dimensions.
- Multi-range voltage and frequency (50/60 Hz)
- Harmonic current immunity.
- Cos ϕ range from 0.7 inductive...to...0.7 capacitive.
- Web-based performance monitoring
- Internal short-circuit protection

If higher reactive power compensation capacity is required, up to 100 devices can be connected in parallel.

Application

Ideal solution for individual loads or installations with numerous single-phase and three-phase loads, whether inductive or capacitive. Also, for installations whose load fluctuates over short time frames. Typical loads would be overhead cranes, welding equipment, lifts, drilling/shredding systems, data centres.

Technical specifications

Network voltage	Voltage	208... 480V ~ F-F + /-10%
	Frequency	50 / 60Hz +/- 5%
	Maximum THD V	25%
Power	Maximum power	See according to type in the table
	maximum current	See according to type in the table
	Maximum consumption	SVGm-xxx-020M/30M: 650 W SVGm-xxx-040M/60M: 1300 W SVGm-xxx-069M/100M: 2070 W
Current measurement	Type	Transformer: 5/5A... 5000/5A
	Consumption	1.5 VA per transformer

SVGm-M

Static Var Generator with multilevel technology wall mount

Features / performance	Reactive power compensation	Selectable, target 0.7 inductive... 0.7 capacitive
	Parallel installation	<ul style="list-style-type: none"> Up to 100 units, with different current gauges. CTs connection only to the "master" unit Allow redundancy (system operation in the event of device malfunction).
	User interface	3.5" colour touchscreen Web Server and datalogger
	RS485	Modbus RTU Speed 9600 Bd Stop Bits 1 Parity No
	Ethernet	TCP/IP Modbus TCP
Environmental characteristics	Installation category	Cat III 300V
	Contamination level	2
	Operating temperature	- 10... + 45°C
	Storage temperature	- 20... + 50°C
	Relative humidity	0 ... 95% (without condensation)
	Maximum height	3000 m (2000 m without performance restriction)
	Protection degree	IP20 / IK10 (or other protection degrees upon request)
Connection	Network	SVGm 20/30/40/60 kvar: Ring terminal M6. Maximum ring width 12 mm. Torque 2.2 ... 2.4 Nm. SVGm 69/100 kvar: Ring terminal M8. Maximum ring width 23 mm Torque 8... 10 Nm
	CTs	6-pole connector. Maximum conductor 2.5 mm ² . Torque 0.5 ... 0.6 Nm
	RS485	3-pole connector. Maximum conductor 2.5 mm ² . Torque 0.5 ... 0.6 Nm
	Ethernet	RJ45
Mechanical characteristics	Dimensions	SVGm-xxx-020M/30M 430 x 530 x 178 mm (width x height x depth) SVGm-xxx-040M/60M 430 x 530 x 348 mm (width x height x depth) SVGm-xxx-069M/100M 439 x 745 x 288 mm (width x height x depth)
	Envelope	1.5 mm galvanised steel
	Weight	SVGm-xxx-020M/30M: 21 kg SVGm-xxx-040M/60M: 39 kg SVGm-xxx-069M/100M: 56 kg
	Noise	SVGm-xxx-020M/30M: 58 dBA SVGm-xxx-040M/60M: 60 dBA SVGm-xxx-069M/100M: <60 dBA
Standards	UNE-EN 62477-1, UNE-EN 55011, UNE-EN 61000-6-2, UNE-EN 61000-6-4, IEC 61439-1	

SVGm-M

Static Var Generator with multilevel technology wall mount

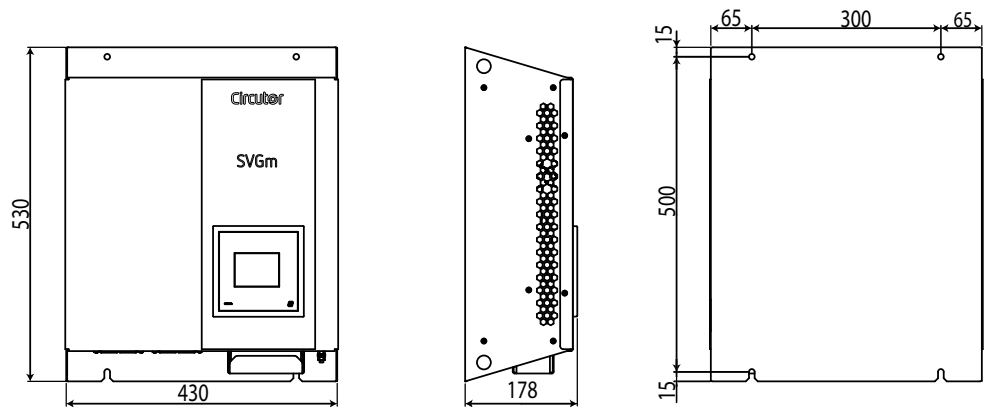
References

Maximum current A (RMS)	Maximum reactive power (kvar)	System	Type	Code
44	30	3 wires, 230... 480 V	SVGm-3WF-030M-480	R4P3M0.
88	60		SVGm-3WF-060M-480	R4P3M1.
145	100		SVGm-3WF-100M-480	R4P3M2.
30	20,7	4 wires, 230... 400 V	SVGm-4WF-020M-400	R4P4MA.
60	41,4		SVGm-4WF-040M-400	R4P4MB.
100	69		SVGm-4WF-069M-400	R4P4MC.

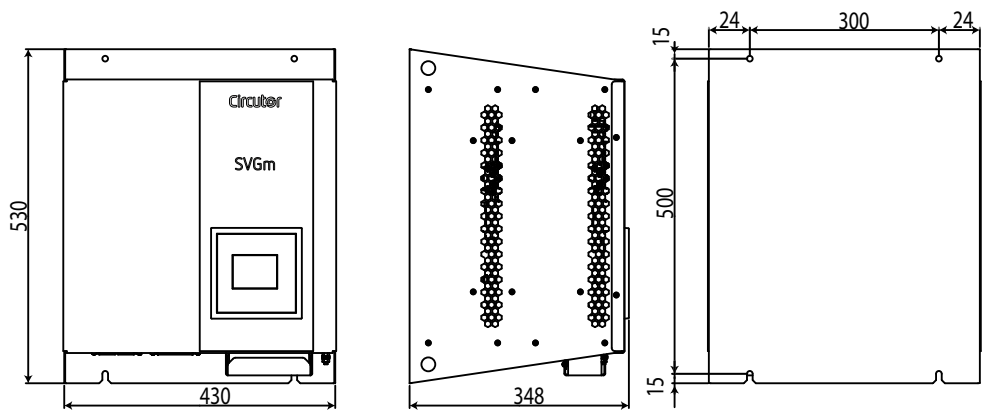
All devices have built-in **EMI** filter.

Dimensions

20/30 kvar



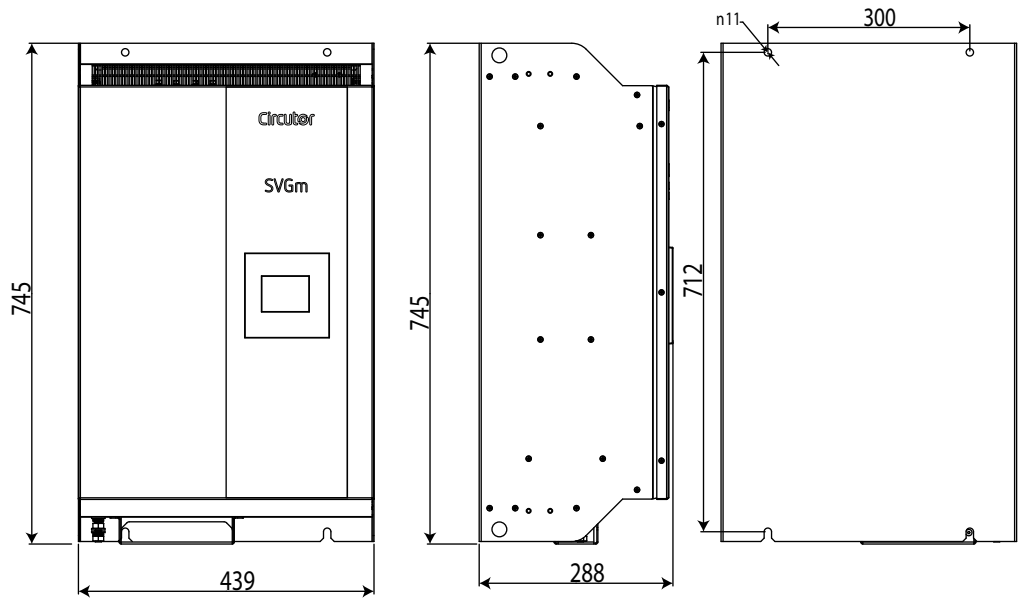
40/60 kvar



SVGm-M

Static Var Generator with multilevel technology wall mount

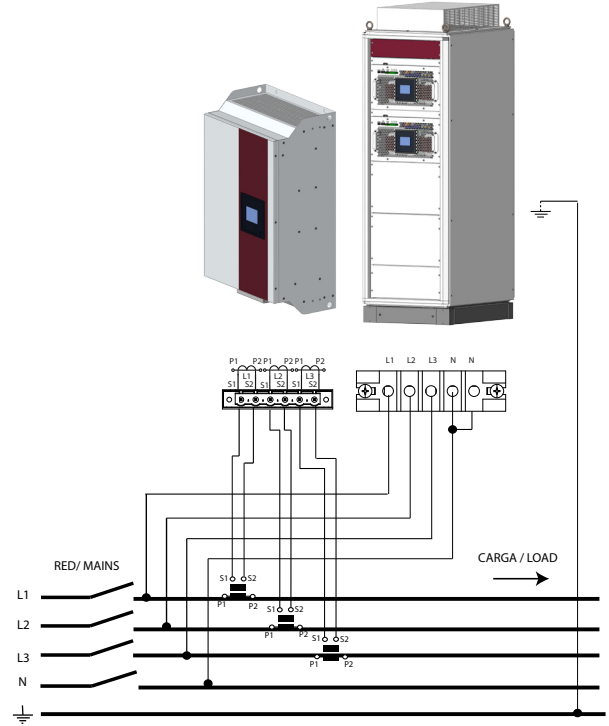
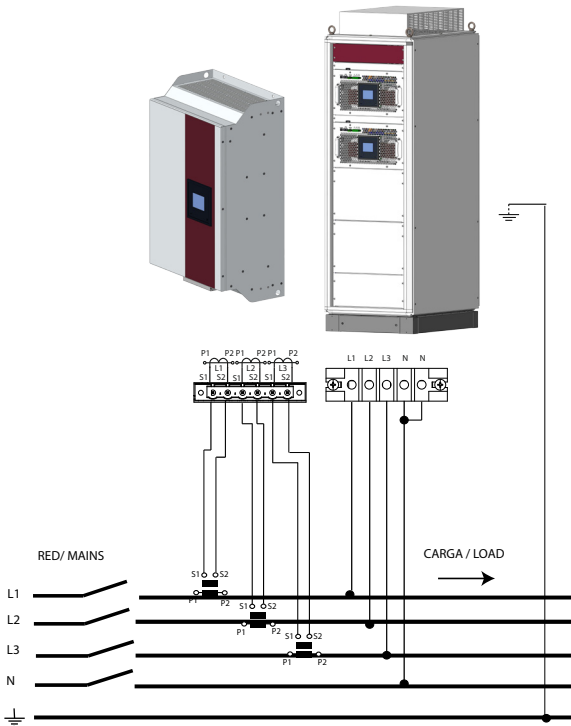
69/100 kvar



Connections

Three-phase measurement with 4-wire connection and current measurement on the **Network side**

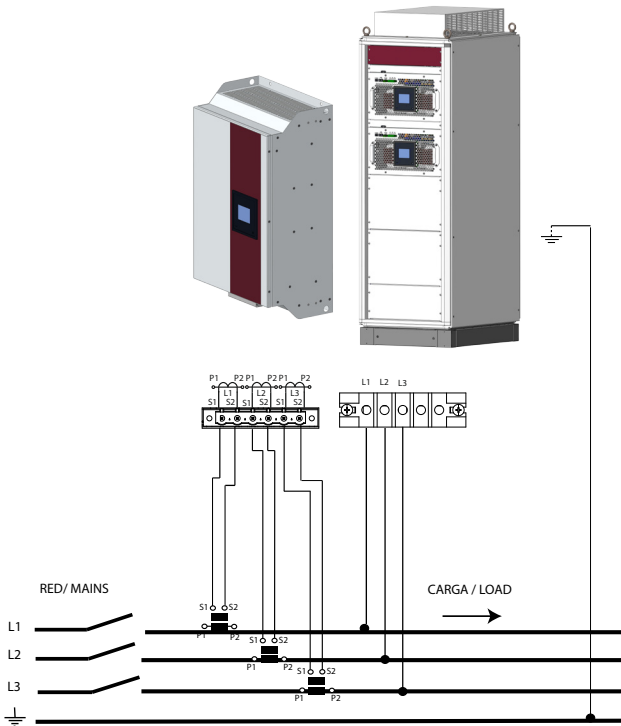
Three-phase measurement with 4-wire connection and current measurement on the **Load side**



SVGm-M

Static Var Generator with multilevel technology wall mount

Three-phase measurement with 3-wire connection and current measurement on the **Network side**



Three-phase measurement with 3-wire connection and current measurement on the **Load side**

