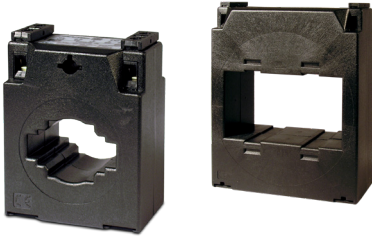


TCH

High accuracy measurement current transformer



Description

- Type: bar entrance
- Types: from 40 to 4000 A
- Internal diameter: from 20,3 to 63 mm, depending on the type
- Busbar dimensions: from 25 x 5 mm to 30 x 100 mm
- Transformer certificate sheet is attached
- DIN rail fixing accessory (Types **TCH5** and **TCH6**)
- Secondary coding types .../5 A (on demand .../1 A).

Applications

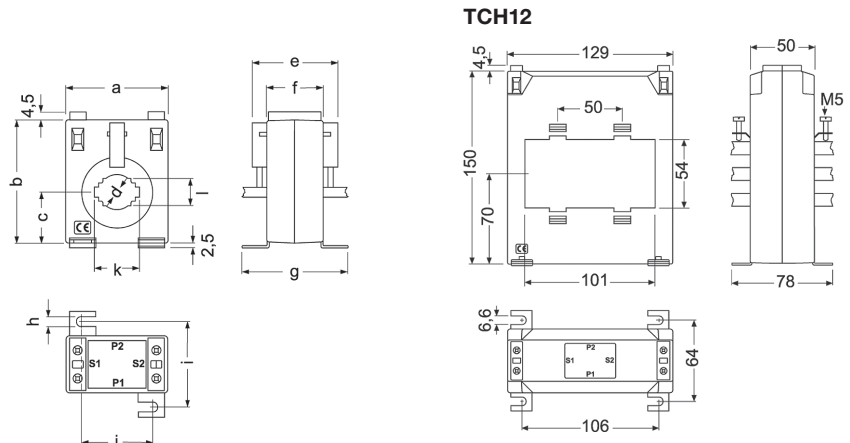
Converting a high nominal current to a lower current so that it can be measured by the unit. In installations where the electric supply can be interrupted to install transformers.

Technical features

Electrical features		
Frequency	50 / 60 Hz	
Insulation voltage	3 kVac	
Thermal short-circuit current, I_{th}	60 I_n	
Dynamic current, I_{dyn}	2.5 I_{th}	
Highest voltage for the material	0.72 kVac	
Thermal class	B (130 °C)	
Type of encapsulation	V0 self-extinguishing plastic	
Safety factor	FS 5	
Sealable secondary terminals	Yes	
Secondary terminals	IP 20	
Attached to DIN rail	TCH5 and TCH6	
Standards	IEC 44-1, BS2627	

Dimensions

mm	TCH5	TCH5.2	TCH6.2	TCH6	TCH8	TCH8.3	TCH10
a	58	58	64	64	84,5	84,5	108
b	70	70	80,5	80,5	102	100	130
c	29	29	34	34	46	34	61
d	20,3	22	26	28,5	44	31	63
e	45	45	60,5	66,5	69	60,5	-
f	32	32	44	44	50	44	50
g	59	59	71	71,2	78	71	78
h	5,6	5,6	5,6	5,6	6,6	5,6	6,6
i	48	48	60	60	64	60	64
j	39	39	46	46	62	46	86
k	25,6	30,6	30,6	40,6	60,6	40,6	80,6
l	15,6	15,6	20,6	25,2	30,6	25,2	50,8



References

Type	TCH 6.2				TCH 6				TCH 8			
Busbar (mm)	30 x 10				40 x 10				60 x 12			
A \ V-A	Class			Code	Class			Code	Class			Code
	0,2S	0,2	0,5S		0,2S	0,2	0,5S		0,2S	0,2	0,5S	
50/5		0,5		M7044B								
60/5		0,5		M7044C								
100/5	1	1,5	2,5	M70441								
125/5	1	1,5	2,5	M70442								
150/5	2,5	3,5	3,5	M70443	1	1,25	1,5	M70431				
200/5	3,5	5	5	M70444	1,25	1,5	2	M70432				
250/5	5	5	5	M70445	1,5	1,75	2,25	M70433				
300/5	5	5	5	M70446	1,75	2	2,5	M70434				
400/5	7,5	7,5	7,5	M70447	1	5	5	M70435				
500/5					5	7,5	7,5	M70436				
600/5					5	7,5	7,5	M70437	5	10	10	M70463
750/5					7,5	10	10	M70438	7,5	10	10	M70464
800/5					7,5	10	10	M70439	7,5	10	10	M70465
1 000/5									10	15	15	M70466
1 200/5									10	15	15	M70467
1 250/5									10	15	15	M7046A
1 500/5									10	15	15	M70468
1 600/5									10	15	15	M70469
Type	TCH 10				TCH 12							
Busbar (mm)	50 x 50 60 x 30 80 x 30				3 x 100 x 10							
A \ V-A	Class			Code	Class			Code				
	0,2S	0,2	0,5S		0,2S	0,2	0,5S					
800/5	7,5	10	10	M70472								
1 000/5	7,5	10	10	M70473								
1 200/5	10	10	10	M70474	10	15	15	M70482				
1 250/5	10	10	10	M7047C	10	15	15	M7048C				
1 500/5	10	10	15	M70475	10	15	15	M70483				
1 600/5	10	10	15	M70476	10	15	15	M70484				
2 000/5	10	10	15	M70477	10	15	15	M70485				
2 500/5	10	10	15	M70478	15	20	20	M70486				
3 000/5	10	10	15	M70479	20	25	25	M70487				
3 200/5					20	25	25	M7048B				
4 000/5					25	30	30	M70488				