

TSA

Insulation transformer with harmonic filtering



Description

TSA is a third harmonic filter based on a insulation transformer with a star- triangle connection (Δ -Y), which eliminates third order harmonics and has a passive 5th order harmonic filter in the secondary panel.

Therefore, this configuration eliminates third order harmonics from the neutral conductor and reduces 5th order harmonics.

Application

Lines with the distribution of distorting single-phase loads, such as computers, discharge lamps, etc.

Reduction of neutral overloads with the circulation of third order harmonics.

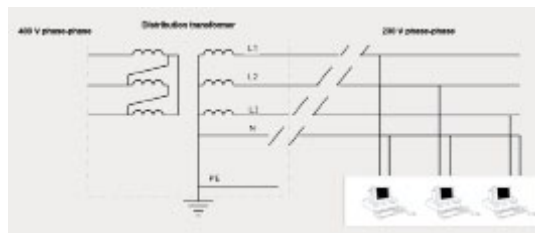
Decrease in the installation's losses.

Features

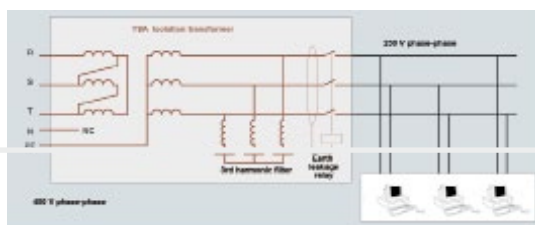
Features	
Transformer - divider	
Primary connection	Triangle
Secondary connection	Star
Voltage	3x400/230 V a.c.
Frequency	50 Hz
Conductor	Copper
Filter	Anti-parasitic
Protection switching operations	Circuit breaker II
Power protection	Circuit breaker III + Earth Leakage
Operating temperature	-10...+ 40 °C
Cabinet	IP 42, Epoxy paint

Connections

Three-phase installation with distribution of single-phase loads



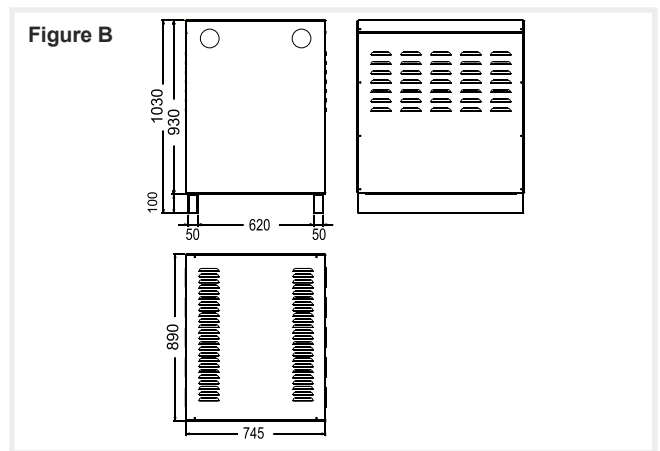
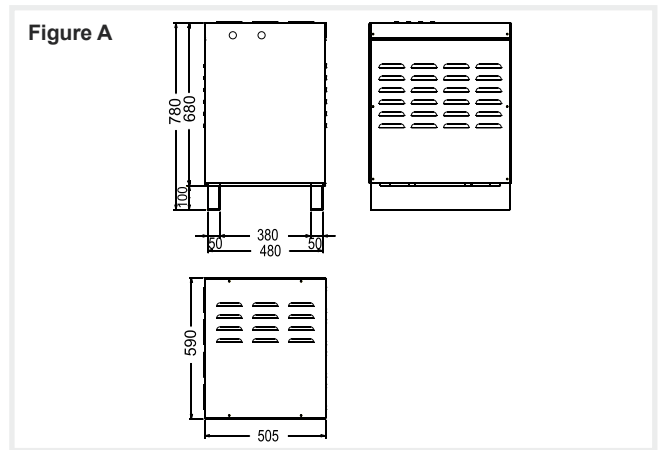
Three-phase installation with TSA and distribution of single-phase loads



TSA

Insulation transformer with harmonic filtering

Dimensions



References

kVA	Voltages	Weight (kg)	Dimensions (mm) width x height x depth	Figure	Type	Code
10	3 x 400 / 230 V	125	505 x 780 x 590	A	TSA - 10	R75101
15	3 x 400 / 230 V	160	505 x 780 x 590	A	TSA - 15	R75102
20	3 x 400 / 230 V	185	505 x 780 x 590	A	TSA - 20	R75103
30	3 x 400 / 230 V	265	745 x 1030 x 890	B	TSA - 30	R75104
40	3 x 400 / 230 V	325	745 x 1030 x 890	B	TSA - 40	R75105
50	3 x 400 / 230 V	350	745 x 1030 x 890	B	TSA - 50	R75106
80	3 x 400 / 230 V	420	745 x 1030 x 890	B	TSA - 80	R75107
100	3 x 400 / 230 V	460	745 x 1030 x 890	B	TSA - 100	R75108