

CIRWATT B 502

Multi-function three-phase meter with indirect connection



Description

There are installations in which due to high energy consumption or generation, the accuracy of the meter to be installed is a key factor to consider. **CIRCUTOR** offers the best option to measure large amounts of energy. **CIRWATT B 402** is a high accuracy meter, with four quadrants measurements and different communications and expansion cards.

Application

It is specially designed for HV installations which requires a strict billing system, different load profiles and communications. Fully adapts to the customer's requirements.

Features

Power supply	
Nominal voltage	3 x 230 (400) V - 3 x 127 (230) V - 3 x 63,5 (110) V
Tolerance	80% ... 115% U _n
Consumption	< 2 W; < 10 V·A
Frequency	50 or 60 Hz
Voltage measurement	
Connection	Asymmetrical
Reference voltage	3 x 230 (400) V - 3 x 127 (230) V - 3 x 63,5 (110) V **
Frequency	50 or 60 Hz
Voltage consumption of the circuit	< 2 W; 10 V·A
Current measurement	
Nominal reference current I _{ref} (I _{max})	1 (2) A or 1 (6) A or 2,5 (10) A or 5 (10) A *
Start-up current I _{st}	< 0,001 x I _{ref}
Minimum current I _{min}	< 0,01 x I _{ref}
Current consumption of the circuit	< 0,1 V·A
Accuracy class	
Accuracy measured in active energy	EN 50470 (Class C) - IEC 62053-22 (Class 0,2S)
Accuracy measured in reactive energy	IEC 62053-23 (Class 0,5 or 1 or 2)
Memory	
Data	Non-volatile memory
Setup and events	Serial flash
Battery	
Type	Lithium
Working Life	> 20 years @ 30 °C
Clock	
Type	Gregorian calendar
Source	Temperature compensated oscillator
Accuracy (EN 61038)	< 0.5 s / day at 23 °C
Environmental influence	
Operating temperature range	-40 ... +70 °C
Storage temperature range	-40 ... +85 °C
Temperature coefficient	< 15 ppm/K
Humidity	95 % máx.
Insulation	
Insulating voltage	4 kV a 50 Hz during 1 min
Impulse voltage 1.2/50 µs - IEC 62052-11	6 kV
Protection degree (IEC 62052-11)	II
Display	
Type	LCD
Number of data digits	up to 8
Size of data digits	8 mm
Display data reading when there is no voltage.	Yes

* Request for other configurations

** Voltage not available in 1 (10) A model



CIRWATT B 502

Multi-function three-phase meter with indirect connection

Features

Optical communications interface	
Type	Serial, two-directional
Hardware	IEC 62056-21
Protocol	REE, based on IEC 870-5-102
Tampering detector	
Detection	Opening the terminal cover
Type	Micro-switch
Function	Detects intruders when there is no voltage.
Construction features	
Connection	Asymmetrical
External dimensions	DIN 43857
Enclosing features	DIN 43859
IP Degree (IEC 60529)	IP 51

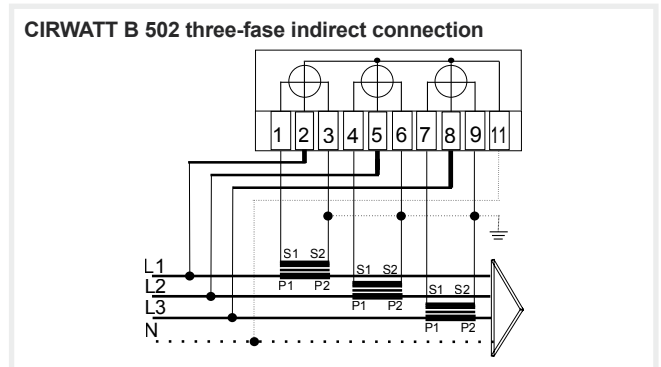
Rate programming	
Number of days	12
Types of days	10
Contracts	3
Number of Tariffs	9
Discrimination	1 hour
Holidays/festivities	30
Special days	12
Load curve	
Number of load curves	2
Integration time	Programmable: 1 ... 253 min
Recording depth	4000
Events	
Number of events	200
Billing closures	
Number of locks	12, per contract
Type	Disabled / Programmable date and hour

Other features

Communications *	Expansion cards *
RS-232 / RS-232	Without inputs / outputs
RS-485 / RS-485	4 relay outputs (Tariff indicator)
RS-232 / RS-485	2 relay outputs / 4 impulse inputs
RS-232 / Ethernet	4 pulse inputs
R-485 / Ethernet	Earth leakage measurement
	2 relay outputs / 2 impulse outputs / 2 impulse inputs

* Request for other configurations

Connections



Dimensions

