

Line-M-4IO-A

Analog input / output module



Description

Module with 4 analogue inputs and outputs. Can be used to integrate 0-4...20mA analogue signals from control devices and sensors. The module has outputs to replicate the signals recorded through its inputs or to convert the parameters measured by the Line system devices in analogue form, 0/4...20mA or 0/2...10V, for management through external devices. The expansion modules of the Line range provide a simple way to extend the features of any version of line-EDS-Cloud, line-EDS-PS, or of the line-CVM-D32 network analyser. The modules are connected laterally and are detected automatically when the lateral connection is made, which greatly simplifies the installation and configuration of the modules.

Applications

- Expansion of inputs/outputs from line-CVM-D32 or line-EDS network analysers.
- Convert any instantaneous parameter measured or calculated by the device into analogue signals by incorporating analogue output expansion modules.
- Track the status of components in the installation by using the analogue inputs to the module.

Características técnicas

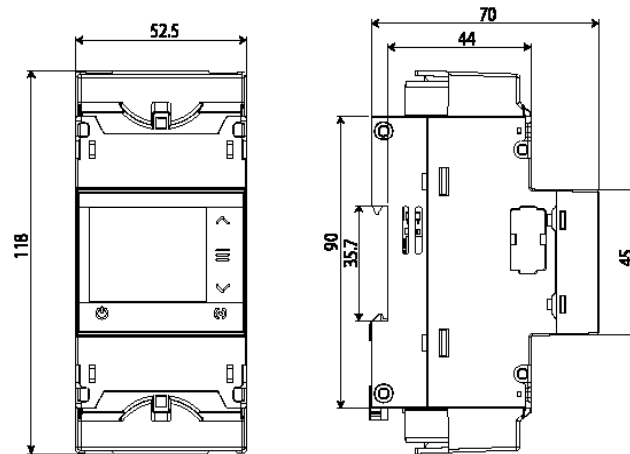
Electrical characteristics	Power	3 W
	Installation category	CAT III 300 V
Analogue inputs	Quantity	2
	Measurement type	Current
	Nominal input range	0 ... 20 mA / 4 ... 20 mA (Programmable)
	Accuracy	<1%
	Input impedance	150 Ω
Analogue outputs	Quantity	4
	Tensión máxima	12 V
	Linearity	< 1 %
	DAC resolution	4096 puntos
	Precisión	1% (0...20 mA, 0...10 V)
	Current mode, nominal range	0 ... 20 mA / 4 ... 20 mA (Programmable)
	Current mode, maximum load resistance	300 Ω
	Voltage mode, nominal output range	0 ... 10 V
Current mode, minimum load resistance	5 kΩ	
User interface	LED	9 LEDs
Environmental characteristics	Operating temperature	-10 ... +50 °C
	Storage temperature	-20 ... +70 °C
	Relative humidity (without condensation)	5 ... 95%
	Maximum altitude	2000 m
	Protection degree	IP30 / Front: IP40
Mechanical characteristics	Dimensions	52,5 x 108 x 70mm
	Weight	153 g
	Envelope	Self-extinguishing V0 plastic
	Attachment	Carril DIN
Standards	UNE-EN 61010-1, UNE-EN 61000-6-2, UNE-EN 61000-6-4, UL 61010-1	

Line-M-4IO-A Analog input / output modules

References

Type	Code	Analog outputs	Analog inputs	Protocol
Line-M-4IO-A	[*] M58E03	4	4	Modbus/RTU

Dimensions



Connections

