

IDA-EV

Type A RCCB with 6 mAdc monitoring



Description

IDA-EV is a 6mA_{DC} type-A RCCB with monitoring for use in electric vehicle chargers. Compact RCCB that provides residual current protection, with a sensitivity of 30 mA and 6 mA_{DC} monitoring for use in electric vehicle charging stations. Available in 40 and 63 A nominal current gauges, for three-phase and single-phase connections. It guarantees adequate protection at electric vehicle charging points, in accordance with the IEC 62955 standard.

Applications

Device specifically designed to provide residual current protection of electric vehicle charging stations.

Technical specifications

Electrical characteristics	Nominal voltage (U_n)	400/415 Vac	
	Nominal current (I_n)	40, 63 A	
	Frequency	50/60 Hz (depending on model)	
	Protection capacity (wave type)	AC, pulsating and DC current.	
	Rated insulation voltage (U_i)	440 V	
	Rated impulse voltage (1.2/50 μ s)	4 kV	
	Electrical insulation	Distance between contacts > 4 mm	
	Differential current sensitivity ($I_{\Delta n}$)	30 mA	
	DC current trip sensitivity ($I_{\Delta nDC}$)	6 mAdc	
	Rated conditional short-circuit current (I_{cs})	10 kA	
	Rated opening capacity (I_m)	630 A	
	Backup fuse for short-circuit protection	80 A gG	
	Minimum operating voltage	80 V	
	Operating temperature	-25...65 °C	
	Storage temperature	-40...85 °C	
	Mechanical characteristics	Electrical life	2,000 cycles
	Mechanical characteristics	Frame size	45 mm
Height		68 mm (DIN rail as per EN60715)	
Width		72 mm (4 modules)	
IP protection rating		IP 20	
Installation category		CAT III	
Cable section capacity		1-25 mm ²	
Terminal type		M5 (Pozidrive PZ2)	
Maximum torque		Max 3 Nm	
Standards	Device requirements	IEC/EN 61008, IEC 62955	
	Vibration resistance	5g (50, 60 & 500 Hz) IEC 60068-2-7	
	Shock and impact resistance	IEC/EN 61008-1	

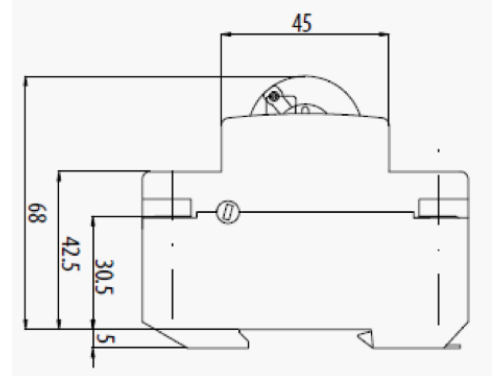
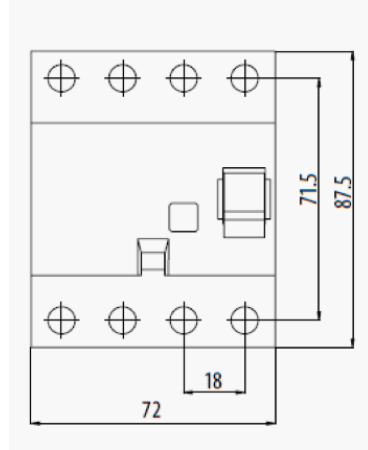
References

Code	Type	$I_{\Delta n}$ (AC)	$I_{\Delta n}$ (DC)	I_n	I_{cc}
P17321.	IDA-EV-40-30	30 mA	6 mA	40 A	10 kA
P17322.	IDA-EV-63-30	30 mA	6 mA	63 A	10 kA

IDA-EV

Type A RCCB with 6 mA_{dc} monitoring

Dimensions (mm)



Connections

Three-phase (3 phases + Neutral) (240/415 Vac)

Single-phase (1 phase + Neutral) (240 Vac)

Three-phase (3 phases without Neutral) (240 Vac Ph-Ph)

